

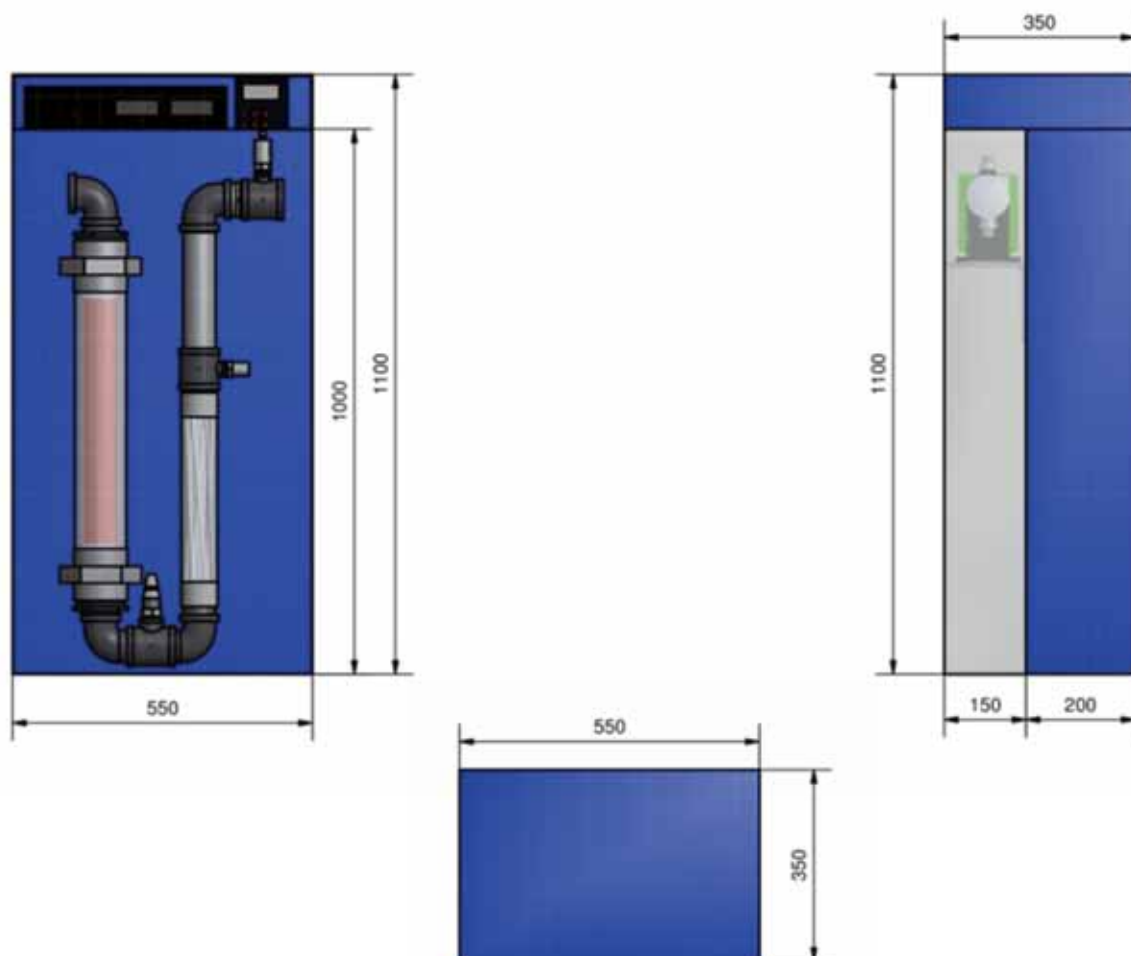
Environmentally Engineered Products

ALIOS CHLOR

Fresh Water Disinfection System

Innovative legionella & pathogen control

Water Treatment



ALIOS CHLOR

Due to poor control and chlorination in the shore facilities / ports and also in the ship's fresh water network (including fresh water tank), the fresh water supplied on-board is not suitable for human use and consumption in many cases.

AliosChlor is a fresh water disinfection unit in compliance with MLC Legislation. It ensures access to excellent quality of drinking water. AliosChlor unit is coming to substitute the costly dosing of sodium Hypochlorite or UV lamps disinfection. In process of electrolysis, the system produces chlorine to disinfect fresh water from shore bunkering or freshwater generators (evaporator or reverse osmosis units). This ensures a safe and constant amount of disinfectants at all time.

COMPLETE FRESH WATER SOLUTIONS

Equipment

- Alios EVO, Reverse Osmosis Fresh Water Production
- Sand filters
- Rehardening filters
- UV disinfection system

Water Quality Services

- Potable water systems' inspections
- Water Quality Analysis , Monitoring and assessment
- Legionella and Pathogen control
- Fresh Water Piping Disinfection

KEY BENEFITS

Protection of the complete fresh water piping network, up to the far points

Easy and safe to use

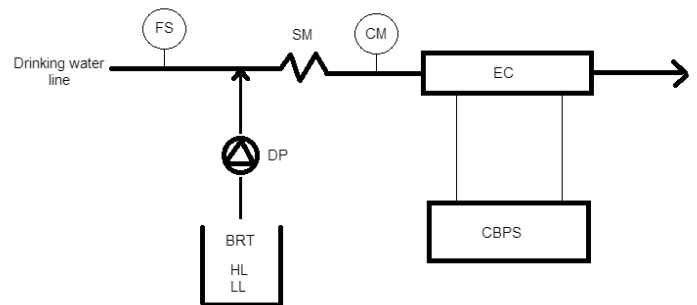
Low energy consumption

Minimum maintenance

Economic Solution

Reliable and effective

According to MLC legislation, water intended for human consumption must be free of microorganisms and parasites. Such substances in numbers or concentrations constitute a potential danger to human health. The supply and use of fresh water is essential. Contaminated water can spread serious diseases to human organism such as typhoid fever, dysentery and cholera.



FS: Flow switch
BRT: Brine tank
HL: High level sensor
LL: Low level sensor
DP: Dosing pump
SM: Static mixer
CM: Conductivity meter
EC: Electrolytic cell
CBPS: Control board with power supply

EPE Environmental Protection Engineering S.A.

Head Office

Piraeus, Greece
T: +30 210 40 60 000
F: +30 210 46 17 423

www.epe.gr, Email: epe@epe.gr

Factory

VIPAS
Perama, Greece
T: +30 210 40 93 000