

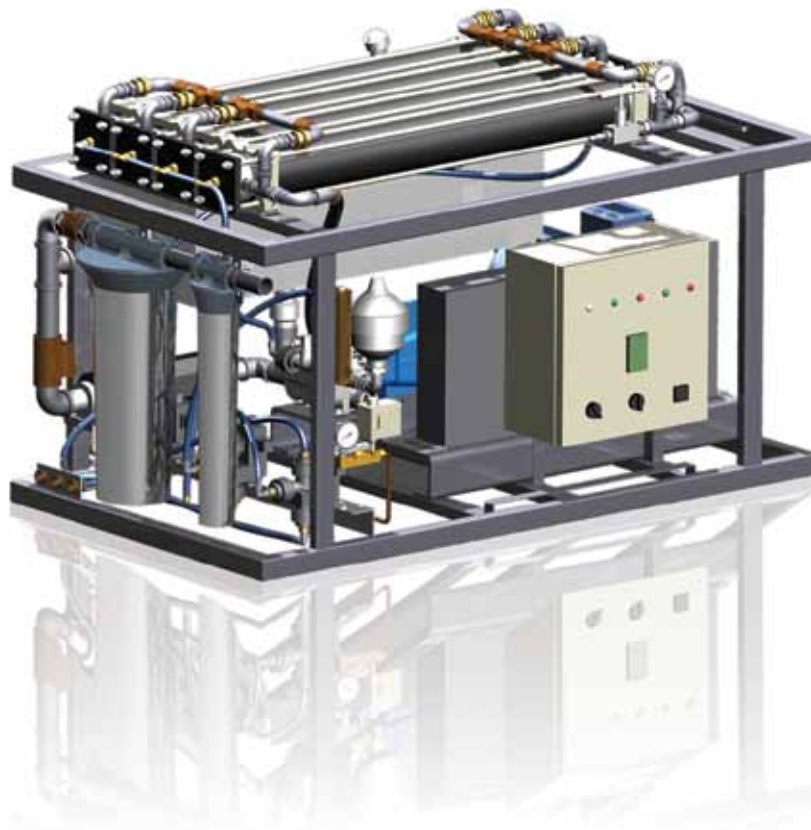
Environmentally Engineered Products

# ALIOS EVO

Fresh Water Generator

Compact Reverse Osmosis Systems for energy efficiency

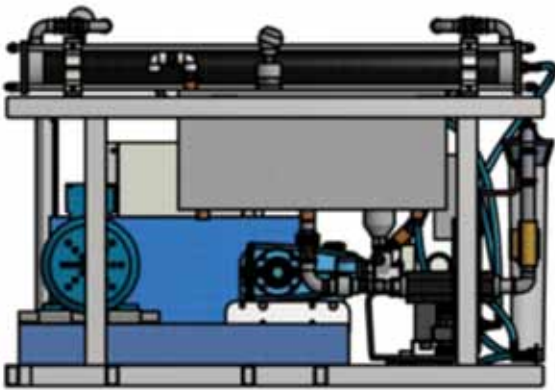
Water Treatment



## ALIOS EVO

ALIOS EVO is a proven alternative to the production of fresh water with evaporation, since there is no need for the operation of the main engine or the boiler of the vessels, thus minimizing energy consumption.

The system is able to produce reliable fresh water from the desalination of sea or brackish water and can be configured (skid or loose mounted) with variable features in order to meet any customer requirements. ALIOS EVO is equipped with the CIP system as standard to facilitate maintenance. The produced water is constantly monitored with a TDS meter.



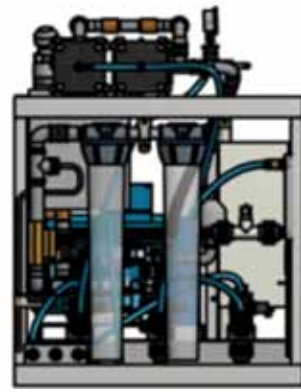
## COMPLETE FRESH WATER SOLUTIONS

### Peripheral equipment

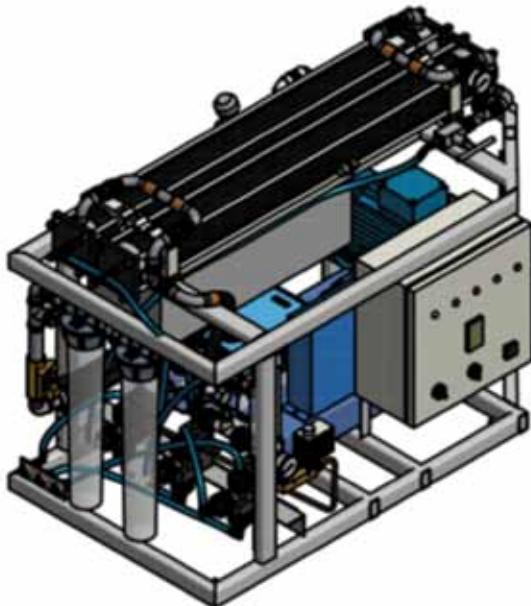
- Sand filter
- Rehardening filter
- Electrochemical disinfection AliosChlor
- UV disinfection system

### Water Quality Services

- Water Quality Analysis, Monitoring and Assessment
- Legionella and Pathogen control
- Fresh Water Piping Disinfection



Suitable for:  
Passenger  
Cargo  
Military  
Yacht  
Offshore



UNIT	Nominal Capacity (m <sup>3</sup> /day)	Skid Footprint L/W/H(m)
ALIOS EVO 1.5	1,5	0.9/0.7/0.9
ALIOS EVO 3.5	3.5	1.3/0.7/0.9
ALIOS EVO 6	6	1.3/0.7/0.9
ALIOS EVO 7.5	7.5	1.3/0.7/0.9
ALIOS EVO 10	10	1.3/0.7/0.9
ALIOS EVO 20	20	1.65/0.85/0.98
ALIOS EVO 30	30	1.65/0.85/1.10
ALIOS EVO 80	80	2.9/0.91/1.49

ALIOS EVO custom to meet any request

## EPE Environmental Protection Engineering S.A.

Head Office  
Piraeus, Greece  
T: +30 210 40 60 000  
F: +30 210 46 17 423

Factory  
VIPAS  
Perama, Greece  
T: +30 210 40 93 000

www.epe.gr, Email: epe@epe.gr