

TRITON EC



epe

Engineered to Respond



Waste Water Treatment

TRITON EC

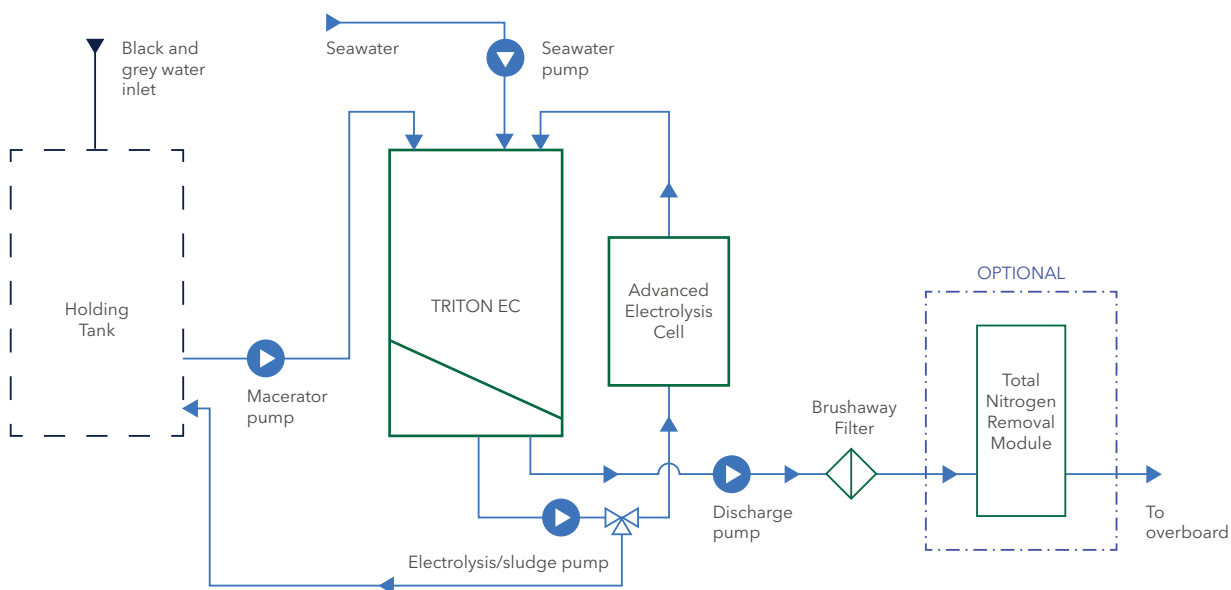
Electrochemical Sewage Treatment Unit



EPE / Environmental Protection Engineering S.A.

DESCRIPTION

TRITON EC is a purely electrochemical wastewater treatment plant. It is a completely chemical-free sewage treatment plant meeting the requirements of **MEPC 227 (64)** of the International Maritime Organization (IMO). TRITON EC is designed for waste water treatment on board merchant ships, Navy vessels, yachts, ferries, small cruisers, offshore platforms and most other marine type applications.



Model	Hydraulic loading (l/day)	Organic loading (kg/day)
TRITON EC - 15	1500	1,2
TRITON EC - 35	3500	2,8
TRITON EC - 50	5000	4,0
TRITON EC - 65	6500	5,2
TRITON EC - 100	10000	8,0
TRITON EC - 200	20000	16,0
TRITON EC - 300	30000	24,0
TRITON EC - 500	50000	40,0
TRITON EC - 600	60000	48,0
TRITON EC - 700	70000	56,0

EPE / Environmental Protection Engineering S.A.



HEAD OFFICES

Piraeus, Greece

T: +30 210 40 60 000

F: +30 210 46 17 423

FACTORY

VIPAS, Perama, Greece

T: +30 210 40 93 000

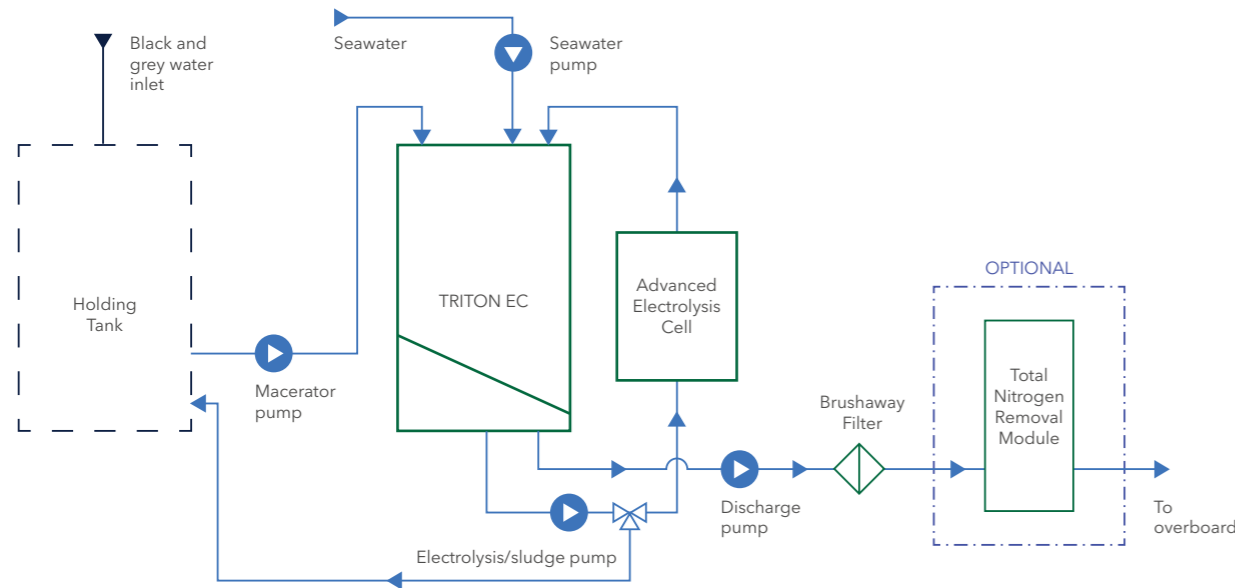
F: +30 210 46 17 423

• website: www.epe.gr

• email: epe@epe.gr

DESCRIPTION

TRITON EC is a purely electrochemical wastewater treatment plant. It is a completely chemical-free sewage treatment plant meeting the requirements of **MEPC 227 (64)** of the International Maritime Organization (IMO). TRITON EC is designed for waste water treatment on board merchant ships, Navy vessels, yachts, ferries, small cruisers, offshore platforms and most other marine type applications.



Model	Hydraulic loading (l/day)	Organic loading (kg/day)
TRITON EC - 15	1500	1,2
TRITON EC - 35	3500	2,8
TRITON EC - 50	5000	4,0
TRITON EC - 65	6500	5,2
TRITON EC - 100	10000	8,0
TRITON EC - 200	20000	16,0
TRITON EC - 300	30000	24,0
TRITON EC - 500	50000	40,0
TRITON EC - 600	60000	48,0
TRITON EC - 700	70000	56,0

EPE / Environmental Protection Engineering S.A.



HEAD OFFICES

Piraeus, Greece

T: +30 210 40 60 000

F: +30 210 46 17 423

FACTORY

VIPAS, Perama, Greece

T: +30 210 40 93 000

F: +30 210 46 17 423

• website: www.epe.gr

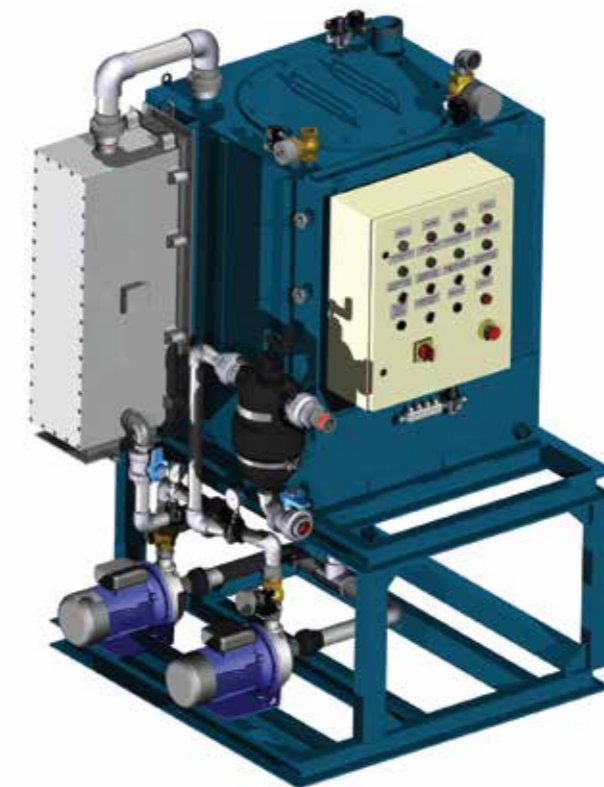
• email: epe@epe.gr

TRITON EC



Waste Water Treatment

TRITON EC
Electrochemical Sewage Treatment Unit



EPE / Environmental Protection Engineering S.A.