

 Waste Water Treatment

## POSEIDON *i*

Keep an 'i' on Your Bilge Water Separator Performance  
Failsafe Bilge Water Accidental Discharge



Bilge Water Discharge from ANY Bilge Water Separator

### FEATURES

5 or 15 ppm mode  
Accurate data logging of discharge bilge water:

- Oil content (ppm)
- Quantity (lt, m3)
- Flow rate (lt/hr, m3/hr)
- Time (GMT)
- Location

Easy data logging, downloading & printing  
Remote data logging availability (requires satellite connection)

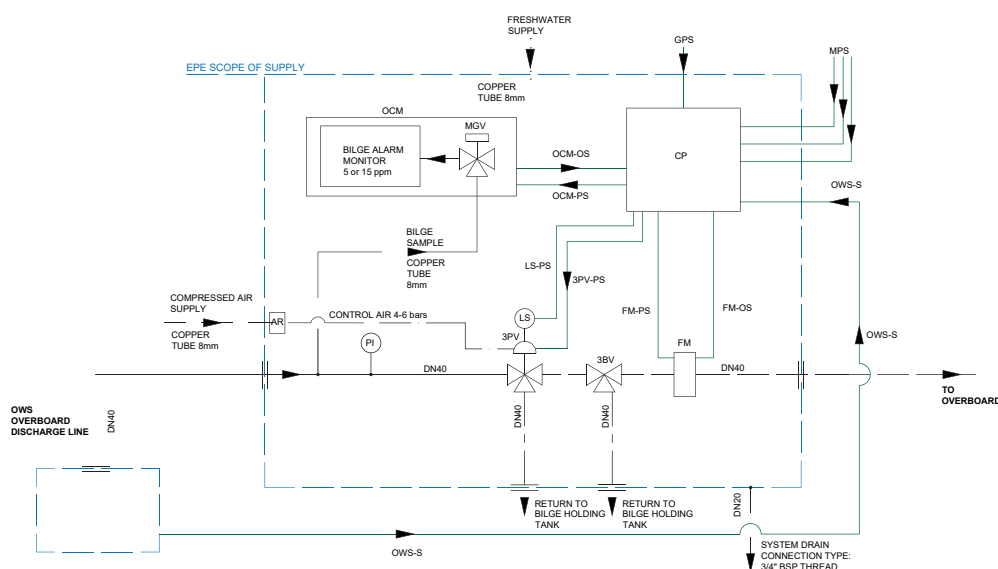
### BENEFITS

- ✓ Foolproof supportive data for vessel's bilge water Oil Record Book
- ✓ Peace of mind operation for superintendent engineer and manager/owner of the vessel
- ✓ Prevention of illegal discharges
- ✓ Identification of tampering attempts
- ✓ Demonstration of the environmental awareness of the shipowner
- ✓ Monitoring options available to further enhance shipboard implementation and educate crew

# SPECIFICATIONS

According to **IMO/MEPC 107(49) & MEPC 60(33)** and **DNV-GL Clean Design**.

LxWxH (mm)	1174x299x846 mm
Weight (Kgr)	116 Kgr
Connections	flanged DN40 8mm copper pipe
Ingress Protection (IP)	IP54
Power (kW)	0,1 kW
Compressed Air (bar)	4-6 bar
Operating Pressure (bar)	1,5 bar
Maximum Flow Rate (m3/hr)	12 m3/hr
Data logging storage period (months)	24 months



# MONITORING

EPE can provide the user of POSEIDON 'i' with the following services (requires satellite control feature):

- Monthly Discharge Reports
- Real Time Alert Reports during out of specification discharges

With the above service the superintendent engineer of the vessel can get an easy to read monthly report while accidental discharges can be prevented in real time via an email or a text message at his smart phone or cellular phone.

1 and 3 years subscription plans are available. Longer plans can be provided upon request.

## EPE / Environmental Protection Engineering S.A.



### HEAD OFFICES

Piraeus, Greece  
 T: +30 210 40 60 000  
 F: +30 210 46 17 423

### FACTORY

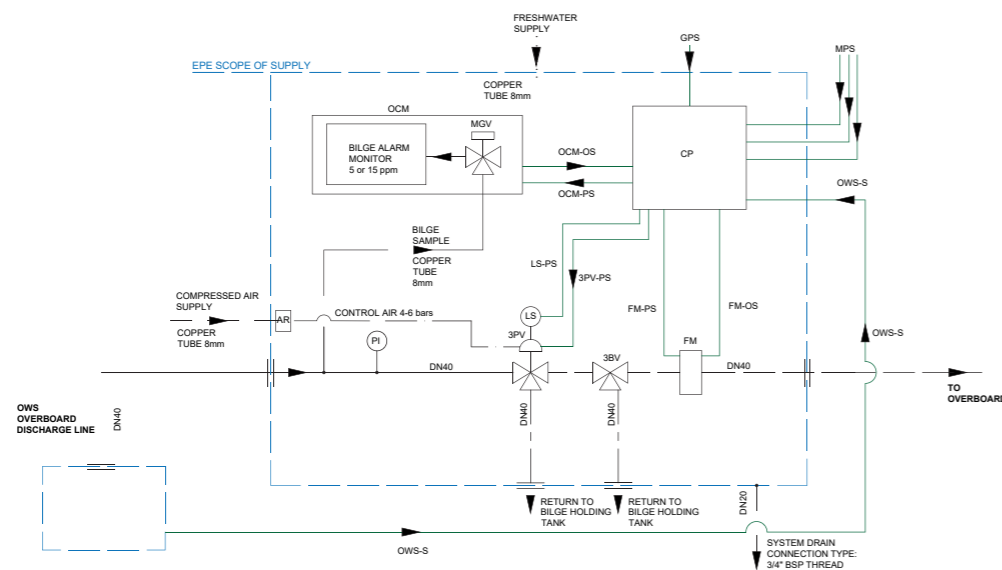
VIPAS, Perama, Greece  
 T: +30 210 40 93 000  
 F: +30 210 46 17 423

- website: [www.epe.gr](http://www.epe.gr)
- email: [epe@epe.gr](mailto:epe@epe.gr)

# SPECIFICATIONS

According to IMO/MEPC 107(49) & MEPC 60(33) and DNV-GL Clean Design.

LxWxH (mm)	1174x299x846 mm
Weight (Kgr)	116 Kgr
Connections	flanged DN40 8mm copper pipe
Ingress Protection (IP)	IP54
Power (kW)	0,1 kW
Compressed Air (bar)	4-6 bar
Operating Pressure (bar)	1,5 bar
Maximum Flow Rate (m3/hr)	12 m3/hr
Data logging storage period (months)	24 months



# MONITORING

EPE can provide the user of POSEIDON 'i' with the following services (requires satellite control feature):

- Monthly Discharge Reports
- Real Time Alert Reports during out of specification discharges

With the above service the superintend engineer of the vessel can get an easy to read monthly report while accidental discharges can be prevented in real time via an email or a text message at his smart phone or cellular phone.

1 and 3 years subscription plans are available. Longer plans can be provided upon request.

**EPE / Environmental Protection Engineering S.A.**



## HEAD OFFICES

Piraeus, Greece  
T: +30 210 40 60 000  
F: +30 210 46 17 423

## FACTORY

VIPAS, Perama, Greece  
T: +30 210 40 93 000  
F: +30 210 46 17 423

- website: [www.epe.gr](http://www.epe.gr)
- email: [epe@epe.gr](mailto:epe@epe.gr)

**POSEIDON***i*



## Waste Water Treatment

### POSEIDON i

Keep an 'i' on Your Bilge Water Separator Performance  
Failsafe Bilge Water Accidental Discharge



Bilge Water Discharge from ANY Bilge Water Separator

### FEATURES

5 or 15 ppm mode  
Accurate data logging of discharge bilge water:

- Oil content (ppm)
- Quantity (lt, m3)
- Flow rate (lt/hr, m3/hr)
- Time (GMT)
- Location

Easy data logging, downloading & printing  
Remote data logging availability (requires satellite connection)

### BENEFITS

- ✓ Foolproof supportive data for vessel's bilge water Oil Record Book
- ✓ Peace of mind operation for superintend engineer and manager/owner of the vessel
- ✓ Prevention of illegal discharges
- ✓ Identification of tampering attempts
- ✓ Demonstration of the environmental awareness of the shipowner
- ✓ Monitoring options available to further enhance shipboard implementation and educate crew

**EPE / Environmental Protection Engineering S.A.**